

Project designer (PD) shall address the following marked or circled items, and any additional plan review comments on drawings and specifications before scheduling a back check appointment for access compliance (AC). Any questions or points of disagreement must be resolved prior to back check by fax to plan reviewer (PR).

Justification / Reference or Code Citation

Headings / Comments / Notes & Examples

Check List 20. EDUCATIONAL USE AREAS

20.25 Card catalogs and magazine displays must be 48" max AFF for front reach and 54" max AFF for side reach.

CBC 1106B.4 #4

Card catalogs

20.26 Indicate 44" min width for all main aisles.

CBC 1106B.4 #2

Open book stacks

20.27 Indicate 36" min width for all side, range, and end aisles.

CBC 1106B.4 #2

Open book stacks

NOTE
Depending on the occupancy load, Chapter 10 may require wider aisles.

20.28 Provide and indicate the following dimensions when turning around bookshelves:

CBSC Part 1 4-317(b)

Plans

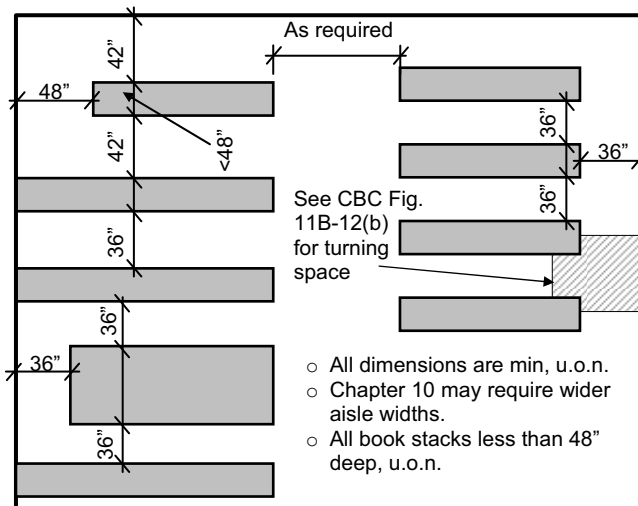
1. 90 degree turns can be made from a 36" wide aisle into another 36" aisle if the depth of the bookshelf is 48" or greater on the inside dimensions of the turn.
2. U-turns around bookshelves less than 48" wide can be made if the aisle width is 42" min and the base of the U-turn space is 48" min. wide.

CBC Fig. 11B-5E

Width of accessible route

CBC Fig. 11B-5E

Width of accessible route



PLAYGROUNDS

20.29 Provide and indicate accessible route of travel to playground.

CBC 1106B.1

General

20.30 Provide and indicate accessible route of travel from playground area to play equipment.

CBC 1114B

Facility accessibility

20.31 Provide and indicate accessible playground equipment. See federal guidelines for acceptable solutions: (see <http://www.access-board.gov/play/finalrule.htm>).

36 CFR Part 1191

Accessibility guidelines for buildings and facilities

20

Project designer (PD) shall address the following marked or circled items, and any additional plan review comments on drawings and specifications before scheduling a back check appointment for access compliance (AC). Any questions or points of disagreement must be resolved prior to back check by fax to plan reviewer (PR).

Justification /
Reference
or Code Citation

Headings / Comments / Notes
& Examples

Check List 20. EDUCATIONAL USE AREAS

20.32 Provide and indicate destination material around playground equipment, to comply with the following standard, referenced by the federal guidelines:

1. ASTM F 1487-98 Standard Consumer Safety Performance Specification for Playground Equipment for Public Use.
2. ASTM F 1951-99 Standard Specification for Determination of Accessibility of Surface Systems Under and Around Playground Equipment.
3. ASTM F 1292-99 Standard Specification for Impact Attenuation of Surface Systems Under and Around Playground Equipment.

36 CFR Part 1191
ADAAG Chapter 15
PRC 5410-5411
H&SC 115725

20.33 Indicate play components to comply with ADA Guidelines for Play Areas.

PRC 5410-5411